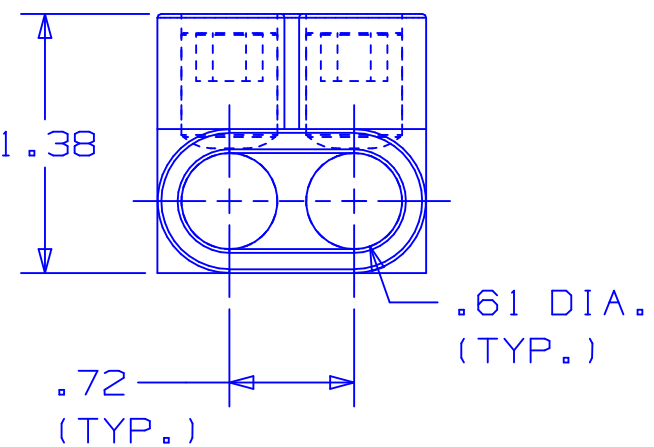


TWO PORT CONNECTOR BLOCK SHOWN WITH PLASTIC CLOSURE PLUGS REMOVED. SEE TABLE FOR DIMENSIONS OF PARTS WITH ADDITIONAL PORTS.

PART NUMBER	# CONDUCTOR PORTS	DIM "L"
PCSB2/0-2-12	2	1.63
PCSB2/0-3-6	3	2.36
PCSB2/0-4-6	4	3.08
PCSB2/0-5-6	5	3.81
PCSB2/0-6-6	6	4.53
PCSB2/0-7-4	7	5.25
PCSB2/0-8-4	8	5.98



- NOTES:
- UL 486B LISTED. DUAL RATED CU9AL FOR ALUMINUM OR COPPER CONDUCTORS. MEETS OR EXCEEDS ANSI C119.4
 - WIRE RANGE: 2/0-#14 AWG STR, #10-#14 AWG SOL. ONLY ONE CONDUCTOR PER PORT ALLOWED.
 - STRIP LENGTH: .56 +.06/-0
 - HEX KEY SIZE: 3/16", TIGHTENING TORQUE #3-2/0 AWG: 50 IN-LB.
#6-#4 AWG: 45 IN-LB.
#8 AWG: 40 IN-LB.
#14-#10 AWG: 35 IN-LB.
 - VOLTAGE RATING: 600 V. MAX. BUILDING WIRE, 1000 V. MAX. IN SIGNS & FIXTURES.
 - TEMPERATURE RATING: 90° C.
 - CONNECTOR BLOCK BODY, AND CLAMPING SCREWS ARE MADE FROM ALUMINUM. PORTS IN CONNECTOR BLOCK ARE PREFILLED WITH AN OXIDE-INHIBITING COMPOUND.
 - INSULATION MATERIAL IS CLEAR PVC.
 - CLAMPING SCREW ACCESS PORTS AND ALL WIRE ENTRY PORTS ARE PROVIDED WITH REMOVABLE PLASTIC CLOSURE PLUGS.
 - ALL DIMENSIONS SHOWN ARE NOMINAL.
 - PACKAGE QTY: -12 = 12 PCS.
-6 = 6 PCS.
-4 = 4 PCS.



LISTED 509D

C41244_05

REV	DATE	BY	CHK	DESCRIPTION	ECN #	CUST	PM
--	----	--	--	WIDTH DIMENSION WAS: 1.75; REVISED NOTE 9.			
05	6/04	JHNU		REVISED DIM "L" IN TABLE: 1.63 WAS 1.62, 2.36 WAS 2.25, 3.08 WAS 3.00, 3.81 WAS 3.75, 4.53 WAS 4.50, & 5.98 WAS 6.00.			
04	10/99	ES	RLS	CHANGED DIM "L" IN TABLE: 2.25 WAS 2.38, 3.00 WAS 3.12 & 3.75 WAS 3.88	08005	JCJ	TRO
03	10/99	ES	RLS	CHANGED DIM "L" IN TABLE: 4.50 WAS 4.62, 5.25 WAS 5.38 & 6.00 WAS 6.12	07968	JCJ	TRO
02	9/99	ES	RLS	NOTE 4 WAS TIGHTEN TORQUE 120 IN-LB	07931	JCJ	TRO
01	8/99	ES	RLS	ADDED 509D TO UL SYMBOL, UPDATED NOTES 2,4 & 5.	07873	JCJ	TRO

PANDUIT CORP. TINLEY PARK, ILLINOIS

MULTI-TAP INSULATED CONNECTORS
PCSB 2/0 SERIES

DRAWN BY: MS CHK'D: RLS SCALE: N/A DRAWING NO.: C41244